

HPS 1000W DE

Code:LHL1000DB00022

HPS Grow Lights



Installation & Application Notes

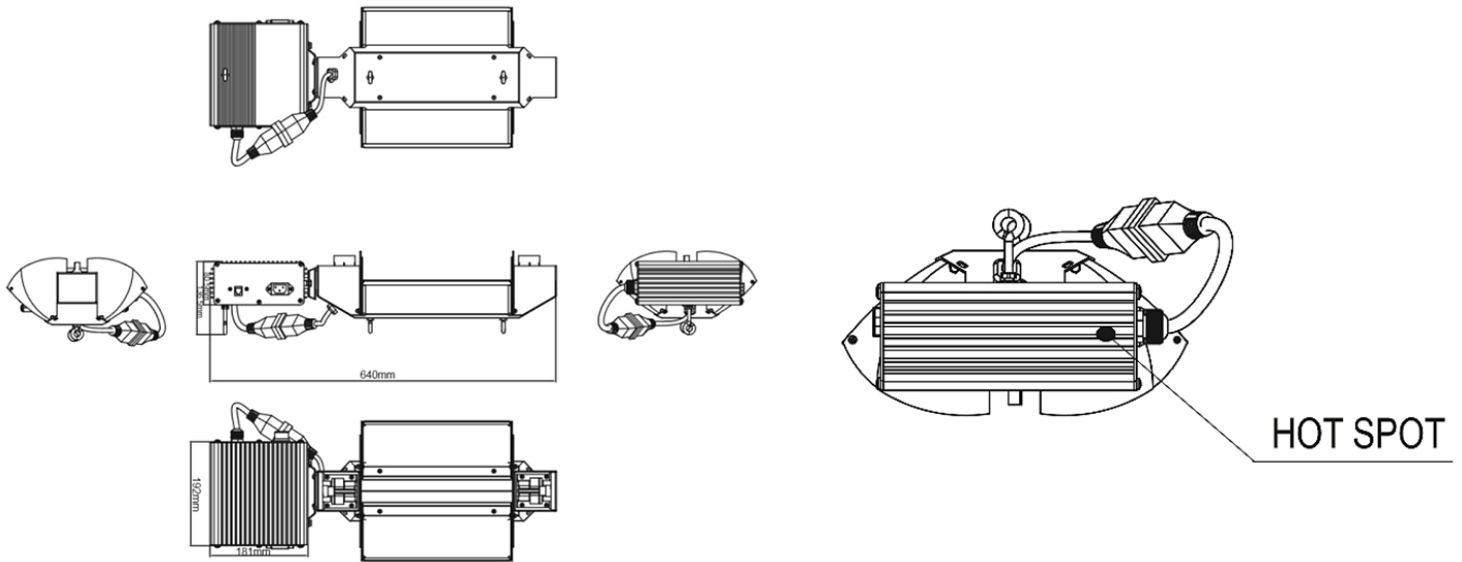
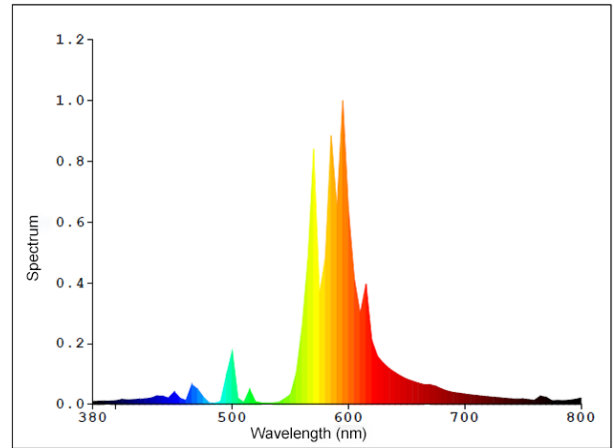
1. Max. allowable case temperature:75°C/167°F.
2. Ambient Temperature:-20...+40°C/-4...+104°F.
3. Max. Humidity:95%.
4. Ignition voltage is 5kV.
5. warranty of the ballast: 3 years
6. warranty of the lamp: 1 year

Protections

1. End of Lamp Life(EOL)Protection
2. Short circuit protection
3. Open circuit protection
4. Ignition failure protection
5. Thermal protection
6. Undervoltage protection

Instruction

The light must be lighted with standard power. And after 10 minutes, then turn the knob to adjust the light.



Main Dimension

Tcase max=75°C/167°F

Notice

Avoid the risk of electric shock:

Turn off the power when checking, installing, and replacing the lamp. Avoid contact between the ballast and the liquid to prevent liquid infiltration and short circuit.

Avoid the risk of fire:

Keep away from the flammable and explosive substances
 Water damage can cause short-circuit, and may cause electric shock, fire, or property damage.
 Do not exceed the rated voltage of the ballast.
 Do not use when the casing is cracked, cracked or out skinned.
 Use within the rated life.
 Turn on the switch after it is fully installed.
 Only use matched ballast and light sources.
 Be grounded and pay attention to the heat dissipation when installing the lamp.
 The input terminal and output terminal cannot be reversed.

Avoid the risk of burns:

Do not touch the lamp before it has cooled down.
 Pls do not open the shell immediately after turning off the light to avoid the capacitor discharge and burn your skin.
 Use professional tools when installing and removing.
 The ballast must be power off when replacing the bulb, and wait about 10 minutes for the bulb cooling and avoid skin burns.

Notice:

If the bulb is not lit, after 30 minutes, the ballast will automatically stop working .
 The ballast must be power off when replacing the bulb
 The interval between power-off of the ballast and power-up again must be over 8 minutes.

Physical

Case Length	70cm	27.6"	Height	23mm	9.1"
Case Width	30cm	11.8"	Weight	7.4kg	16.3lb

Dimming Type

Gear	600W	660W	1000W	1150W	EXT
External control: 0-10V Master Controlle					

Performance

Lamp	1*1000W	Input Power	1055W
Rated mains voltage	240V	Operation frequency	100-120kHz
Voltage range	216V-264V	Min Power Factor	0.99
Input Current	4.6A	THD	<10%
Mains frequency	50/60Hz	Crest Factor	<1.7